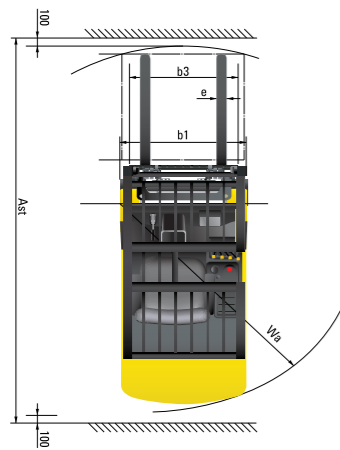
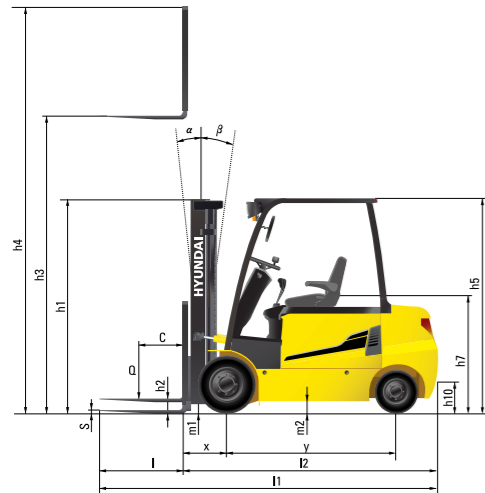


## Dimension



## Specification

Identification		HYUNDAI				
1.1	Manufacturer	HYUNDAI				
1.2	Manufacturer's type designation	20BC-9	25BC-9	30BC-9	32BC-9	
1.3	Drive : electric(battery or mains), diesel, petrol, fuel gas, manual	electric	electric	electric	electric	
1.4	Type of operation : hand, pedestrian, standing, seated, order - picker	seated	seated	seated	seated	
1.5	Load capacity / rated load	Q kg	2,000	2,500	3,000	3,200
1.6	Load center distance	c mm	500	500	500	500
1.8	Load distance, center of drive axle to fork	x mm	458	458	458	458
1.9	Wheelbase	y mm	1,290	1,290	1,400	1,400
Weights						
2.1	Service weight	kg	4,205	4,415	4,870	5,080
2.2	Axle loading, loaded front / rear	kg	5,234 / 971	6,015 / 900	6,851 / 1,019	7,211 / 1,069
2.3	Axle loading, unloaded front / rear	kg	1,791 / 2,414	1,712 / 2,703	1,859 / 3,011	1,855 / 3,190
Wheels, Chassis						
3.1	Tires : solid rubber(V), superelastic(SE), pneumatic(P), polyurethane(PE)	V	V	V	V	
3.2	Tires size, front(φ x width)	21X7X15	21X7X15	21X8X15	21X8X15	
3.3	Tires size, rear(φ x width)	16X6X10.5	16X6X10.5	16X6X10.5	16X6X10.5	
3.5	Wheels, number front rear(x = driven wheels)	2x/2	2x/2	2x/2	2x/2	
3.6	Track width, front	mm	890	890	915	915
3.7	Track width, rear	mm	910	910	910	910
Basic Dimensions						
4.1	Mast / fork carriage tilt forward / backward	degrees	6/8	6/8	6/8	6/8
4.2	Lowered mast height	h1 mm	2,135	2,135	2,135	2,205
4.3	Free lift height	h2 mm	115	115	115	115
4.4	Lift height	h3 mm	3,300	3,300	3,300	3,300
4.5	Extended mast height	h4 mm	4,485	4,485	4,485	4,485
4.7	Overhead guard (cab) height	h5 mm	2,235	2,235	2,235	2,235
4.8	Seat height / Standing height	h7 mm	1,188	1,188	1,188	1,188
4.12	Coupling height	h10 mm	275	275	275	275
4.19	Overall length	l1 mm	3,200	3,255	3,395	3,395
4.20	Length to face of forks	l2 mm	2,150	2,205	2,345	2,345
4.21	Overall width	b1 mm	1,110	1,110	1,118	1,118
4.22	Fork dimensions	l / e / s mm	1050x100x45	1050x100x45	1050x122x45	1050x122x45
4.23	Fork carriage ISO 2328, class / type A, B	II/A	II/A	III/A	III/A	
4.24	Fork - carriage width	b3 mm	980	980	980	980
4.31	Ground clearance, loaded, under mast	m1 mm	90	90	90	90
4.32	Ground clearance, centre of wheelbase	m2 mm	108	108	108	108
4.33	Aisle width for pallets 1,000 x 1,200 crossways	Ast mm	3,527	3,597	3,753	3,753
4.34	Aisle width for pallets 800 x 1,200 lengthways	Ast mm	3,768	3,793	3,953	3,953
4.35	Turning radius	Wa mm	1,910	1,935	2,095	2,095
4.36	Smallest pivot point distance	mm	-	-	-	-
Performance Data						
5.1	Travel speed, loaded/ unloaded(48V)	km/h	17 / 18	17 / 18	17 / 18	17 / 18
	(36V)	km/h	13 / 14	13 / 14	13 / 14	13 / 14
5.2	Lift speed, loaded/ unloaded(48V)	mm/s	420 / 610	410 / 610	340 / 500	330 / 500
	(36V)	mm/s	240 / 410	240 / 410	240 / 410	240 / 410
5.3	Lowering speed, loaded/unloaded	mm/s	500 / 450	500 / 450	500 / 450	500 / 450
5.6	Max. drawbar pull, loaded/ unloaded S2 5min	N	14,301 / 14,389	14,245 / 14,276	14,086 / 14,148	14,043 / 14,094
5.8	Max. gradient performance, loaded/ unloaded S2 5min	%	24 / 20	20 / 17	18 / 18	17 / 16
5.10	Service brake		Hydraulic	Hydraulic	Hydraulic	Hydraulic
E - Motor						
6.1	Drive motor rating S2 60 min (48V)	kW	14	14	14	14
6.2	Pump motor rating at S3 15%(48V)	kW	17	17	17	17
6.4	Battery voltage, nominal capacity K5 (48V)	Ah	740	740	845	845
6.5	Battery weight	kg	1,130	1,130	1,360	1,360
	Battery compartment dimensions L / W / H	mm	1,012 / 772 / 580	1,012 / 772 / 580	1,012 / 872 / 580	1,012 / 872 / 580
Other Details						
8.1	Type of drive control		AC	AC	AC	AC

# 20/25/30/32BC-9

Electric Counterbalance Trucks

MOVING YOU FURTHER

HYUNDAI HEAVY INDUSTRIES



## HYUNDAI FORKLIFT

HEAVY INDUSTRIES CO.,LTD.

Head Office (Sales Office)

14th Fl., Hyundai Bldg. 75, Yulgok-ro, Jongno-gu, Seoul 110-796, Korea  
TEL (82) (2) 746-4609, 4753 / FAX (82) (2) 746-7444, 7445

Americas Operation : Hyundai Construction Equipment Americas, Inc.

6100 ATLANTIC BOULEVARD NORCROSS GA 30071 U.S.A  
TEL (1) 847-678-823-7802 / FAX (1) 847-678-823-7778

Europe Operation : Hyundai Heavy Industries Europe N.V.

VOSSENDAAL 11, 2440 GEEL, BELGIUM  
TEL (32) 14-56-2200 / FAX (32) 14-59-3405

PLEASE CONTACT

www.hyundai-ce.com

2014. 01 Rev. 0

**HYUNDAI**  
HEAVY INDUSTRIES CO.,LTD.



# Your satisfaction is our priority!

Hyundai introduces a new line of **9-series** battery forklift trucks. The newly designed 4 wheel counterbalance trucks provide every operator comfortable driving, increased productivity and easy maintenance.

## Compact forklift with proven AC technology

- Maximum performance
- Comfortable operating room
- Battery side loading system
- Curve control system
- Fingertip controlled mini levers available (optional)
- Weight indicator (optional)
- Safety system that prevents over loading (optional)



■ Some of the photos may include optional equipment.

# High Efficiency & Optimal Performance



Efficient, smooth running and powerful performance make your work more productive.

**20/25/30/32BC-9**



### More efficient operating control levers (Optional)

Electronic directional control and secondary horn are mounted to the hydraulic lift lever for quick and precise maneuvering.



### Finger tip control levers (Optional)

The finger tip control lever allows more precise control and fatigue-free working. The ergonomically designed armrest can be adjusted up, down, forward and backward for various operator's body type.



■ Some of the photos may include optional equipment.



### Advanced drive and lift performance with proven durability and low maintenance

The enclosed drive and pump motor with AC technology combine power, high maintenance intervals and excellent durability. The brushless AC motors offer improved efficiency and reduction maintenance cost.



■ Some of the photos may include optional equipment.

### Curve control

Curve Control limits travel speed based on turning radius, reducing speed for a smooth, precise turning operation for the driver.



Limit the speed



Max. Gradeability (loaded)		Max. Travel Speed (Unloaded)	
Model	%	Model	Km / h
20BC-9	24	20BC-9	18
25BC-9	20	25BC-9	18
30BC-9	18	30BC-9	18
32BC-9	17	32BC-9	18

### Anti roll back system, travel speed and gradeability

Anti Roll-back system offers protection against the machine rolling back on a ramp in combination with exceptional ramp start capabilities.



# Advanced Safety

The safely designed driver's space makes your operating more comfortable.

**20/25/30/32BC-9**



■ Some of the photos may include optional equipment.

## Excellent visibility for safe operation

Optimized lift cylinder arrangement provides operator with wider visibility.



## Panoramic mirror

The panoramic mirror expands the driver's view when backing up.

## Strong overhead guard

Exceeding EEC and ANSI regulations, the overhead guard offers great protection combined with excellent all around visibility.



## Fork safety features

When the forks are being lowered, a down-control valve maintains the controlled speed. The down-safety valve prevents forks from dropping down in case of sudden damage of hydraulic line.

## OPSS(Operator Presence Sensing System)

When the operator is not in the seat all mast and drive movements are impossible.

**Lift Lock** **Tilt Lock** **Drive Lock**

■ Some of the photos may include optional equipment.



## Safety lamps & rear reflectors

LED combination lights and halogen headlights offer the driver visibility in all circumstances. Rear reflectors mounted on the counterweight enhance safety for the driver and the application.



# Optimised Ergonomics & Fast and Easy Maintenance



An ideal arrangement of components ensures easy access and convenience for maintenance.

**20/25/30/32BC-9**



## Spacious operator cabin

The newly designed cabin was conceived for more space, a wider field of view and operator comfort.

■ Some of the photos may include optional equipment.



## Easy battery replacement

The battery compartment is equipped with a side battery removal assembly for easy removal and replacement.

■ Some of the photos may include optional equipment.



## Optimized pedal position and floor mat

The position of accelerator and throttle have been optimized through human engineering.



## Large entrance step

Wide and non-slip step offers convenience and safety when entering and exiting truck.



## Adjustable steering wheel

To achieve a comfortable drive position, the angle of the steering column can easily be adjusted through a lever on the right-hand side of the steering column.



## Grammer seat (Optional)

An easily adjustable suspension seat, based on a human engineering design, provides greater comfort reducing operator fatigue.



## Advanced LCD Monitor

The LCD color monitor with 3.5 inch Electrical Forklift display allows the operator to easily and efficiently control the machine. The monitor provides information about speed level, steer angle & travel direction, battery discharge indicator, hour meter & working mode. The optional load indicator displays the load weight in the monitor. The operator can select various performance modes to meet all working conditions. It is available multi-languages (maximum 12) for operator.

**H** (High) mode **N** (Normal) mode **E** (Economic) mode  
**Turtle mode**



## Brake oil reservoir with level sensor

The enhanced brake oil reservoir, located in the upper left dash, is equipped with an electronic level sensor and easily visible through the monitor.

# New 9 Series

20/25/30/32BC-9

## Mast Specification (20/25/30BC-9)

Mast Type	Maximum Fork Height (mm)	Overall Height (Lowered) (mm)	Free Lift Height (mm)			Tilt Angle (deg) Fwd / Bwd	Load Capacity without side shift at (500mm LC)(kg)			Load Capacity with side shift at (500mm LC)(kg)			Truck Weight (Unloaded) (kg)			
			With Load Backrest	Without Load Backrest			20BC-9	25BC-9	30BC-9	20BC-9	25BC-9	30BC-9	20BC-9	25BC-9	30BC-9	
			20/25/30BC-9	20/25/30BC-9	20/25/30BC-9		20/25/30BC-9	20/25/30BC-9	20/25/30BC-9	20/25/30BC-9	20/25/30BC-9	20/25/30BC-9	20/25/30BC-9	20/25/30BC-9	20/25/30BC-9	
2-Stage Limited free lift	V209	2095	1530	115	115	115	10 / 6	2000	2500	3000	2000	2500	3000	4131	4341	4786
	V300	3005	1985	115	115	115	6 / 8	2000	2500	3000	2000	2500	3000	4185	4395	4849
	* V330	3305	2135	115	115	115	6 / 8	2000	2500	3000	2000	2500	3000	4205	4415	4870
	V350	3505	2235	115	115	115	6 / 8	2000	2500	3000	2000	2500	3000	4222	4432	4888
	V370	3705	2385	115	115	115	6 / 8	2000	2500	3000	2000	2500	3000	4244	4454	4912
	V400	4005	2535	115	115	115	6 / 8	2000	2500	3000	2000	2500	2950	4266	4476	4935
	V430	4305	2685	115	115	115	6 / 8	2000	2500	3000	2000	2420	2850	4312	4522	4983
	V450	4505	2835	115	115	115	6 / 5	2000	2450	2950	1950	2370	2800	4339	4549	5012
	V470	4705	2935	115	115	115	6 / 5	2000	2425	2925	1900	2345	2775	4354	4564	5028
V500	5005	3085	115	115	115	6 / 5	2000	2375	2875	1850	2295	2725	4376	4586	5051	
3-Stage full free lift	TF370/TS370	3705	1785	605	1177	1114	6 / 5	2000	2500	3000	2000	2420	2850	4335	4545	5012
	TF400/TS400	4005	1885	705	1277	1214	6 / 5	2000	2450	2925	2000	2370	2775	4356	4566	5033
	TF430/TS430	4305	1985	805	1377	1314	6 / 5	2000	2400	2875	1920	2320	2725	4377	4587	5078
	TF450/TS450	4505	2085	905	1477	1414	6 / 5	1975	2350	2825	1895	2270	2675	4399	4609	5083
	TF470/TS470	4705	2135	955	1527	1464	6 / 5	1950	2325	2800	1870	2245	2650	4412	4622	5097
	TF500/TS500	5005	2235	1055	1627	1564	6 / 5	1900	2275	2750	1820	2195	2600	4436	4646	5122
	TF550/TS550	5505	2435	1255	1827	1764	6 / 5	1850	2200	2650	1770	2120	2500	4476	4686	5166
	TF600/TS600	6005	2635	1455	2027	1964	6 / 5	1300	1575	1925	1220	1495	1775	4552	4762	5247
	TF650/TS650	6505	2835	1655	2227	2164	3 / 3	1050	1300	1575	970	1220	1425	4592	4802	5291
TF700/TS700	7005	3035	1855	2427	2364	3 / 3	925	1150	1400	845	1070	1250	4632	4842	5330	
4-Stage full free lift	QF610	6115	2120	940	1512	1449	3 / 3	1300	1600	1750	1220	1520	1600	4760	4970	5386
	QF660	6615	2320	1140	1712	1649	3 / 3	1225	1500	1675	1145	1420	1525	4819	5029	5446
	QF700	7015	2420	1240	1812	1749	3 / 3	1175	1400	1475	1095	1320	1325	4850	5060	5476
	QF745	7465	2570	1390	1962	1899	3 / 3	875	1100	1175	795	1020	1025	4896	5106	5522
	QF790	7915	2720	1540	2112	2049	3 / 3	500	700	725	420	620	575	4996	5206	5622

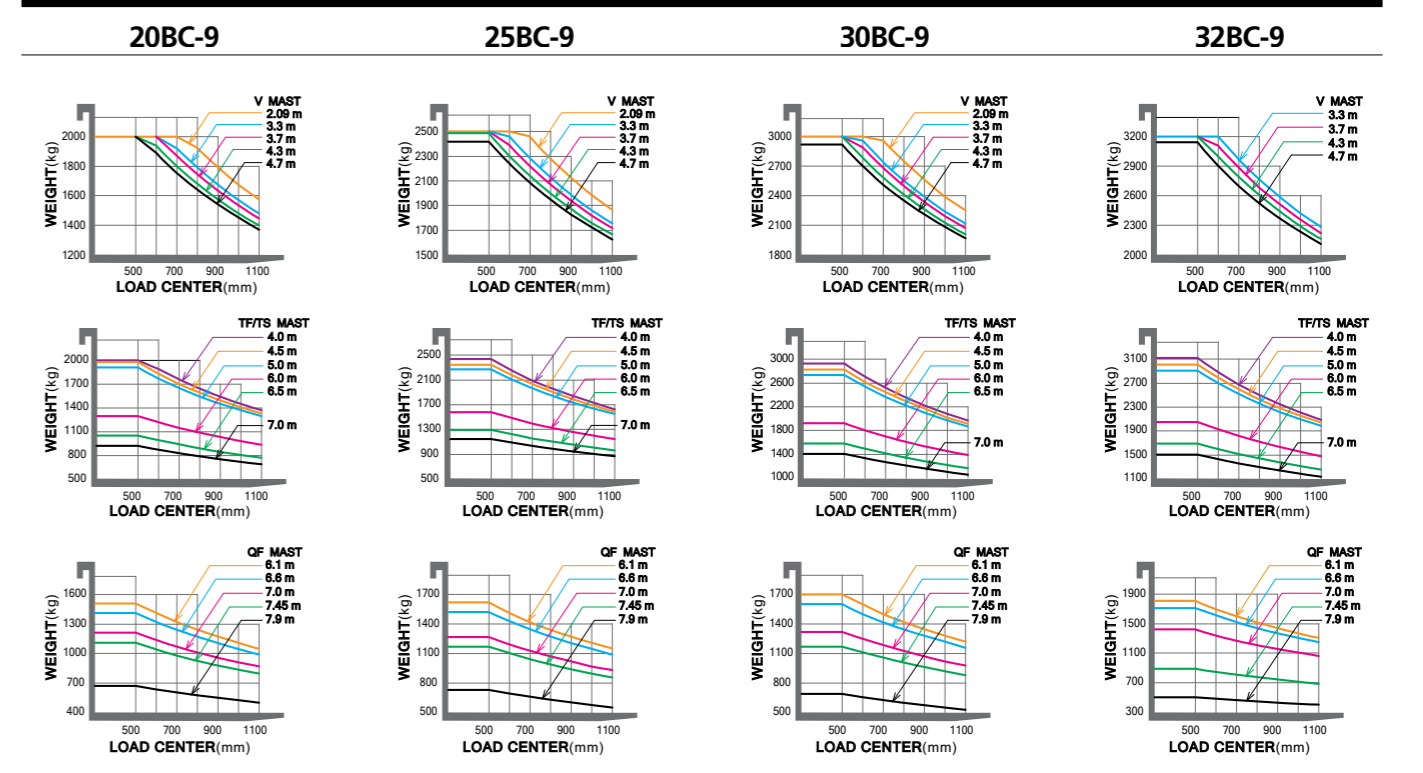
## Mast Specification (32BC-9)

Mast Type	Maximum Fork Height (mm)	Overall Height (Lowered) (mm)	Free Lift Height (mm)		Tilt Angle (deg) Fwd / Bwd	Load Capacity without side shift at (500mm LC)(kg)	Load Capacity with side shift at (500mm LC)(kg)	Truck Weight (Unloaded) (kg)	
			With Load Backrest	Without Load Backrest					
			32BC-9	32BC-9					
2-Stage Limited free lift	V300	3005	2055	115	115	6 / 8	3200	3200	5059
	* V330	3305	2205	115	115	6 / 8	3200	3200	5080
	V350	3505	2305	115	115	6 / 8	3200	3200	5099
	V370	3705	2455	115	115	6 / 8	3200	3150	5122
	V400	4005	2605	115	115	6 / 8	3200	3100	5146
	V430	4305	2755	115	115	6 / 8	3200	3050	5193
	V450	4505	2905	115	115	6 / 5	3175	3025	5223
	V470	4705	3005	115	115	6 / 5	3150	3000	5238
	V500	5005	3155	115	115	6 / 5	3100	2950	5262
3-Stage full free lift	TF370/TS370	3705	1855	675	1132	6 / 5	3200	3050	5245
	TF400/TS400	4005	1955	775	1232	6 / 5	3125	2975	5267
	TF430/TS430	4305	2055	875	1332	6 / 5	3050	2900	5292
	TF450/TS450	4505	2155	975	1432	6 / 5	3000	2850	5316
	TF470/TS470	4705	2205	1025	1482	6 / 5	2975	2825	5331
	TF500/TS500	5005	2305	1125	1582	6 / 5	2900	2750	5355
	TF550/TS550	5505	2505	1325	1782	6 / 5	2825	2675	5400
	TF600/TS600	6005	2705	1525	1982	6 / 5	2050	1900	5479
	TF650/TS650	6505	2905	1725	2182	3 / 3	1700	1550	5524
TF700/TS700	7005	3105	1925	2382	3 / 3	1500	1350	5571	
4-Stage full free lift	QF610	6115	2170	990	1449	3 / 3	1850	1700	5617
	QF660	6615	2370	1190	1649	3 / 3	1750	1600	5677
	QF700	7015	2470	1290	1749	3 / 3	1475	1325	5707
	QF745	7465	2620	1440	1899	3 / 3	950	800	5750
	QF790	7915	2770	1590	2049	3 / 3	575	425	5854

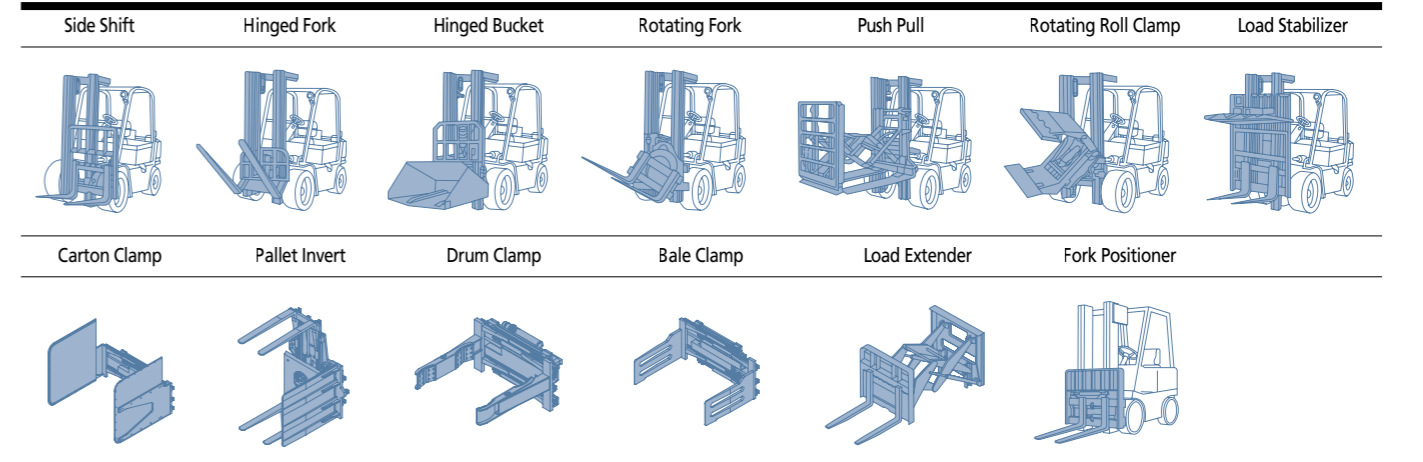
※ TS-Mast : Wide Visible 3-Stage Full Free Lift Mast with 2 Free Lift Cylinders.

\* Standard

## Load Capacity



## Various Attachments



## Optional Items

- Fork(mm)  
20/ 25BC-9 : 900, 1000, 1050(STD), 1200, 1350, 1500, 1650, 1800  
30/ 32BC-9 : 900, 1050(STD), 1150, 1200, 1350, 1500, 1650, 1800
- Overshoe(mm)  
20/ 25BC-9 : 1300, 1500, 1700, 1800  
30/ 32BC-9 : 1500, 1700, 1800
- Integral Sideshift
- Tire : Lug Rubber Type(STD) /Smooth Rubber Type / Non-Marking (Lug or Smooth Type)
- Seat : Grammer
- Finger Tip Control
- Cold Storage (for -30° cold working environments)
- M.C.V : 2-Spool (STD), 3-Spool, 4-Spool
- Beacon Lamp
- Work Lamp
- Load Indicator
- OPSS : Mast
- UL : ES, EE
- Direction Switch on Lever